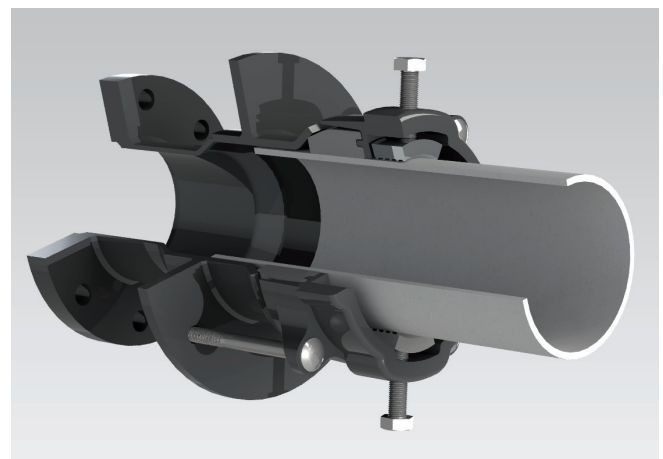
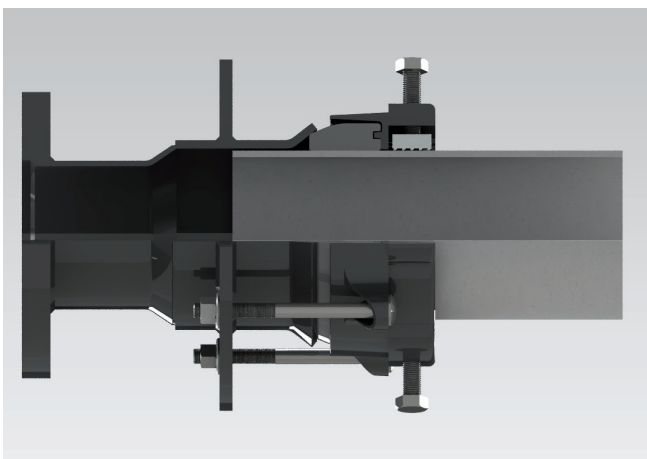


MULTIGRIP

The PIPE LOCKING end restraint system with radial grippers provides a mechanical axial restraint of pipes which need to be connected:

The Pipe - locking system provides a fast and inexpensive connection of pipes with any diameter even in special operating conditions (such as with little room in a trench) and without having to use any special equipment.

- it is suitable for Polyethylene, PVC, Steel and Cast/Ductile Iron pipes
- provides restraints which are separate and independent from hydraulic seal
- guarantees perfect mechanical restraint for all the tolerance range of the fitting



Conexin Ltd.

Station House
North Street
Havant
Hants, PO9 1QU

Tel: +44 (0) 1329 288800
Fax: +44 (0) 1329 231717

E-mail: Sales@Conexin.co.uk
Web: www.Conexin.co.uk